

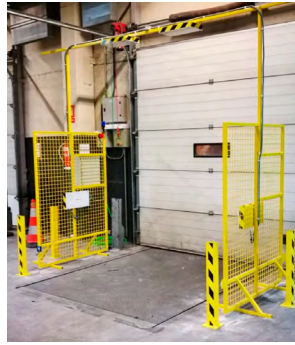


keonn RFID
Systems

AdvanPortal™

High performance RFID portal





Video

Benefits:

- Very high detection rate
- Very easy to use: needs only 3 clicks to make an inventory and upload it to the cloud
- No need of an external computer

Applications:

- Tracking movement of goods at distribution centers and warehouses
- Asset tracking

Product overview

AdvanPortal is an RFID-based tracking system that detects the tagged items that are passed through it in seconds, and directly uploads the resulting data to AdvanCloud.

AdvanPortal is used for product tracking in spaces such as distribution centers, small warehouses, etc.

AdvanPortal comprises:

- High power RFID reader
- High gain antennas, with robust enclosure
- RF cables
- Android touch screen, 10" or 16" (optional), with bracket
- Barcode scanner (optional)
- AdvanCloud software (optional)

AdvanPortal does not need any external computer. The system is managed through the Android screen.

AdvanPortal has a very high read rate. It can read hundreds of tags in few seconds.

The software running in the Android screen is Keonn's sCloud app, the same app used by the AdvanScan handheld solution.

The sCloud app allows the user to select the function of the portal through an icon menu.

The main available functions are the following:



Goods in



Move



Transfer



Transfer listed products

- **Goods in:** verifying that the received products are correct against an ASN (Advance Shipping Notice).
- **Move:** scan products that will be moved to a different zone.
- **Transfer:** expedition of products that will be moved from one facility to another (for example from distribution center to store).
- **Transfer listed products:** expedition of products verifying against a predefined list (for verifying that all the products are being shipped).

In addition, the solution is automatically integrated with AdvanScan handheld solution at retail stores, without needing any local computer, neither at the warehouse nor at the stores.

This means that for instance, an expedition in the warehouse is associated to an ASN by AdvanPortal or an ASN is created by AdvanPortal, and when that shipment is received at the store, it can be checked with the "goods-in" function of AdvanScan.

Technical specifications



Operating Frequency	FCC (NA, SA) (902 - 928) MHz ETSI (EU, IN) (865.6 - 867.6) MHz MIC (KR) (910 - 914) MHz SRRC-MII (P.R.China) (920.125 - 924.875) MHz (1) Australia (AU) (920.750 - 925.250) MHz New Zealand (NZ) (922.250 - 927.250) MHz Israel (IS) (915.0 - 917.0) MHz (2) Japan (JP) (916.8 - 920.8) MHz (3) Brazil (902 - 907.5) MHz (915 - 928) MHz by using channel selection Chile (916 - 928) MHz by using channel selection Peru (916 - 928) MHz by using channel selection Taiwan (922 - 928) MHz by using channel selection Open Region (4) (865 - 869) MHz and (902 - 928) MHz (by using channel selection) (5)
Beam width	40° / 70°
Polarization	Circular
Power supply	Power over Ethernet
Energy Consumption	< 14 W max., < 3 W idle
Reader Power	Maximum 31,5 dBm (may be limited to conform to country or area regulations) Recommended max. 30 dBm
Interface	Ethernet and USB
Transponder Protocol Standard	EPC Class1 Gen2
Operating System	Linux - Fully open
Temperature range	-20°C to +40°C
Dimensions	Antenna (1 unit) 480 mm x 240 mm x 60 mm 18.89 inches x 9.45 inches x 2.36 inches Reader 214 mm x 142,5 x 28 mm 8.42 inches x 5.61 inches x 1.1 inches
Weight	Antenna (1 unit): 2520 g Reader: 620 g
Human exposure	EN 50364
EMC	EN 301 489, EN 300 220
Air Interface (EU)	EN 302 208 v1.2

(1) PRC band is only available in CH version.

(2) Israeli band is only available in CH version.

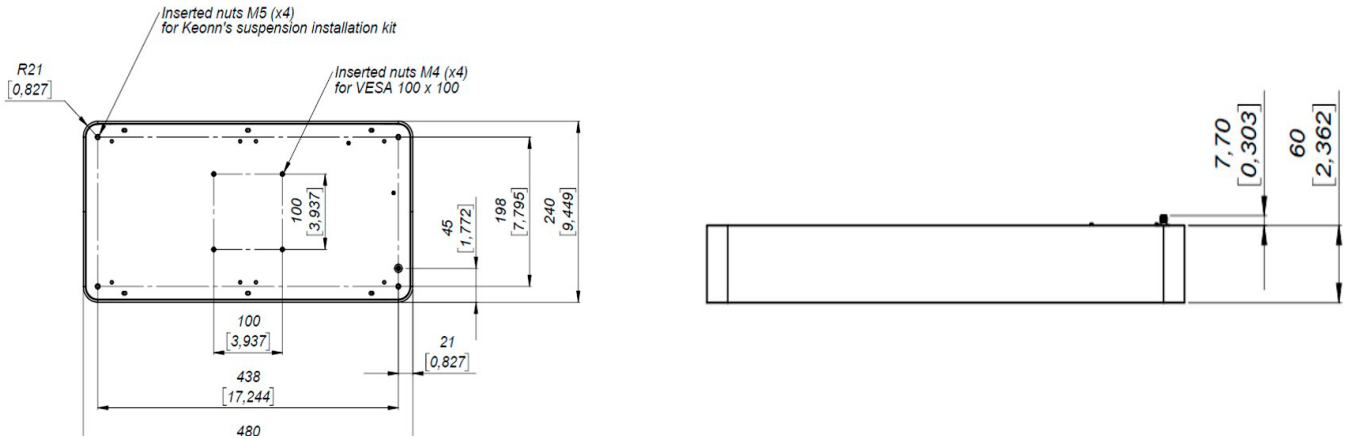
(3) Japanese band is only available in CH version. RF conducted power is limited to 30 dBm.

(4) Open channel specified applies to ETSI/FCC versions. CH versions open channel is defined between 840 to 845 MHz and 920 to 925 MHz.

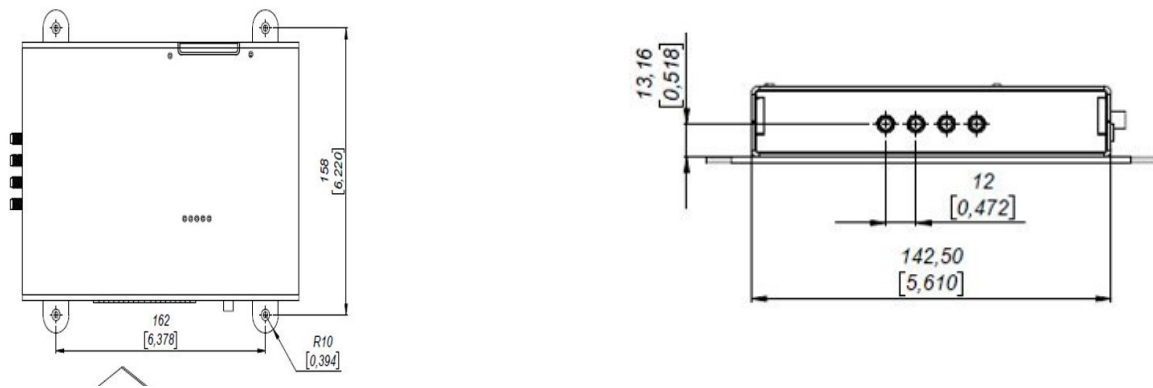
(5) Band is defined as a carrier sub-set from FCC. There is no specific Surface Acoustic Wave (SAW) filter for the band. Given the maximum conducted power there shouldn't be problems with local regulation.

Mechanical specifications

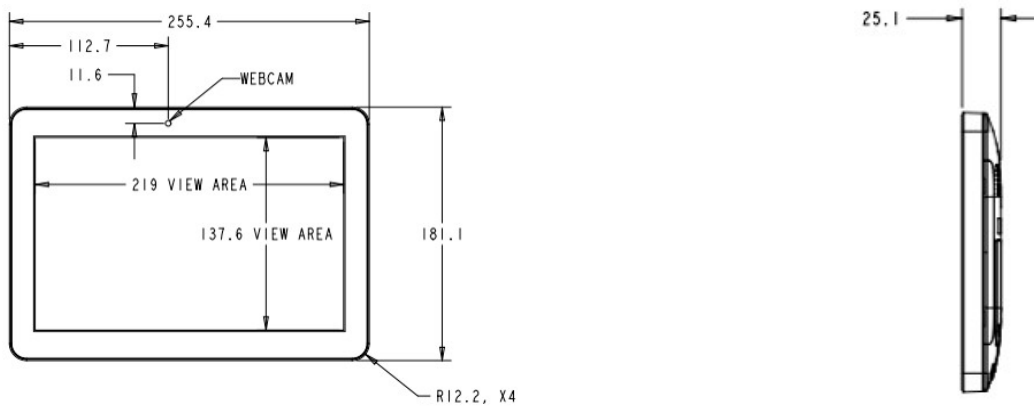
Antenna with enclosure



Reader with enclosure



Touch screen, 10"



Units in millimeters and [inches]

Product codes for ordering

ADPL	-	S	-	B	-	u	aaa	-	FF	-	mmm	
												S = screen
		10T										10" touch screen
		-										Without touch screen
												B = barcode scanner
				B								With barcode scanner
				-								Without barcode scanner
												u = antenna units
						2						2 antennas
						4						4 antennas
												aaaa = antenna model
							SP12					Advantenna-SP12
												FF = frequency band
									EU			865,6 MHz - 867,6 MHz
									US			902,0 MHz - 928,0 MHz
												mmm = model
											100	Model number

Examples:

ADPL-10T-B-4SP12-EU-100:

- AdvanPortal
- 10" touch screen
- Barcode scanner
- 4 x Advantenna-SP12
- ETSI frequency band
- Model 100

AADPL-2SP12-US-100:

- AdvanPortal
- 2 x Advantenna-SP12
- FCC frequency band
- Model 100



Copyright © Keonn Technologies S.L.
All rights reserved.

Information in this publication
supersedes all earlier versions.
Specifications subject to change
without notice.

