

FIX CODE 80

Desktop Area **Imager**

Durable and Elegant design

Omnidirectional

Autosense

Ergonomic



e-Ticket's best reader

SEYPOS FIX CODE 80 is desktop area imager engineered to decode most of 1D, PDF and 2D codes. It's excellent for reading smart phone QR codes and barcodes and also perfect performance for reading poorly printed codes on paper.

It provides wide range of applications: such as retail stores connect to point-of-sale terminals to use mobile coupons, mobile loyalty cards promoting sales. Restaurants can accept mobile coupons at the register. Hotels can use electronic cards stored in guest's smart phones. Theaters, theme parks, stadiums, museums can scan mobile tickets for entrance.



640 x 480
pixels

3 mil

Auto-
sense

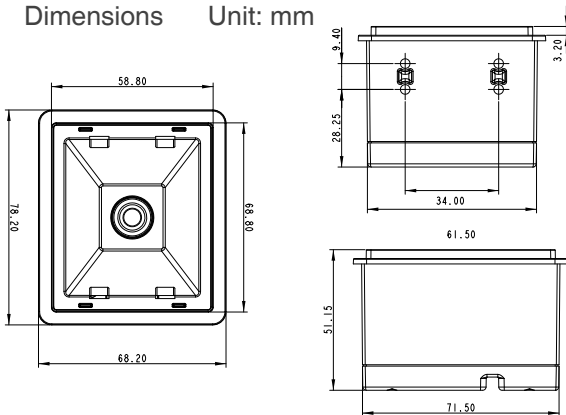
Reading
e-barcode

1D & 2D

FIX CODE 80

Desktop Area Imager

Dimensions Unit: mm



Typical Performance		
Narrow Width	Depth of Field	
EAN-13	13 mil	0 mm – 14 mm
PDF417	10 mil	0 mm – 16 mm
QR Code	10 mil	0 mm – 8 mm
QR Code	13 mil	0 mm – 11 mm
Data Matrix	10 mil	0 mm – 10 mm
Data Matrix	13 mil	0 mm – 12 mm

Performance may be impacted by bar code quality and environmental conditions

General

Interface	USB-KB, USB-COM, RS-232
Barcodes Supported (1D)	All UPC/EAN/JAN, Code 39, Code 39 full ASCII, Code 32 / Italian Pharmacode, Code 128, CODABAR, Interleaved 2 of 5, MSI, Code 93, GS1 DataBAR 14, GS1 DataBar Expanded, GS1 Expanded Stacked, GS1 Data Bar Limited, GS1 Composite Component A/B/C
Barcodes Supported (2D)	PDF417, Micro PDF417, DataMatrix, QR Code, Micro QR Code, Aztec, Maxicode

Optical

Optical System	640 (H) x 480 (V) pixels
Light Source	White LED
Resolution	3mil Code 39
Scan Rate	120FPS
Field of View	Horizontal: 75°; Vertical: 68°
PCS	30%
Indicator	Beeper

Electrical

Voltage	DC 5V±5%
Scanning Current	70 mA
Standby Current	65 mA

Environment

Operating Temperature	0° ~ 50° / 32°F ~ 122°F
Storage Temperature	-40° ~ 70° / -40°F ~ 158°F
Operating Humidity	10 - 95% RH (non-condensing/non-freezing)
Storage Humidity	10% - 95% RH (non-condensing)
Drop	1.8 M drops
Light Level	100,000 lux

Physical

Weight	153g w/cable
Dimension	78.2mm (L) x 68.2mm (W) x 51.15mm (H)
Housing Material	ABS plastic / Window - Tempered glass
Cable	Length: 5ft (150cm) / USB Type: A, RS-232
Warranty	1 year
Certificate	CE / FCC / BSMI / VCCI

V2 This information is subject to change without prior notice.